

New Crane Quotation

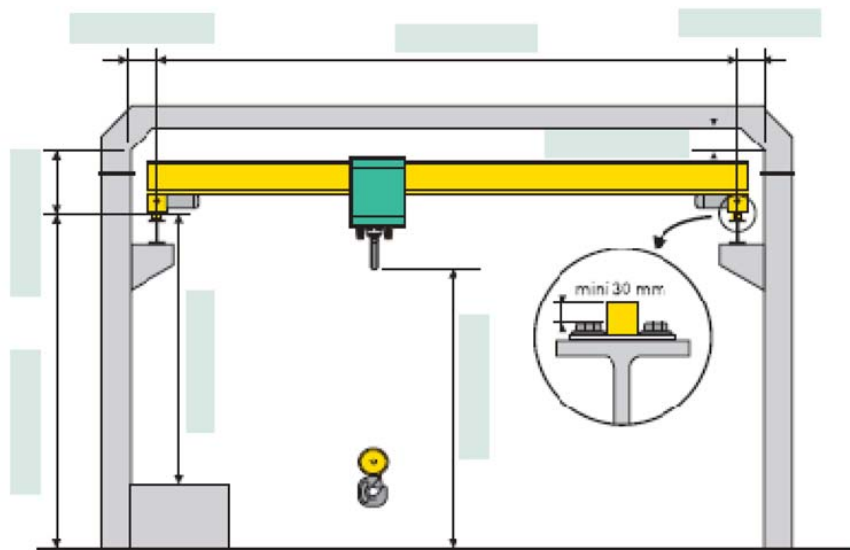
Thank you for enquiring with Jenmon International. Please fill in the form below and we will reply as soon as we can.

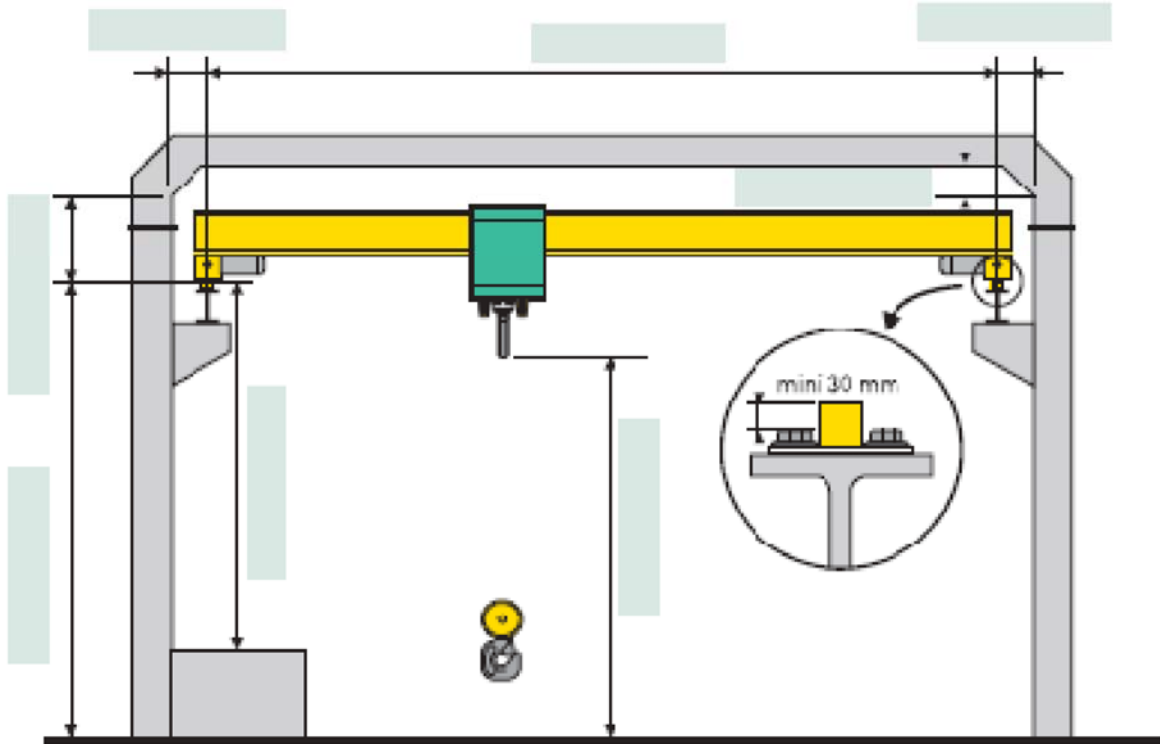
Load Capacity : _____ kg Is there an existing runway? : Yes / No
Span : _____ m Runway Type : _____
Power Supply : _____ V Runway Length : _____ m

Working environment? : Safe zone / Explosion-Proof zone

*Please tick where applicable. Multiple choices are possible.

- | | |
|---|--|
| <input type="checkbox"/> Top-Running Single Girder Crane | <input type="checkbox"/> Gantry |
| <input type="checkbox"/> Underslung Single Girder Crane | <input type="checkbox"/> Semi-Gantry |
| <input type="checkbox"/> Foot-Mounted Single Girder Crane | <input type="checkbox"/> Overhead Travelling |
| <input type="checkbox"/> Top-Running Double Girder Crane | <input type="checkbox"/> Jib-Crane |
| | <input type="checkbox"/> Monorail |
| | <input type="checkbox"/> Others : _____ |





Company	:	
Name	:	
Designation	:	
Address	:	
Street	:	
Postal Code	:	
Country	:	
Tel. Office	:	
Fax	:	
Email	:	
Other remarks	:	